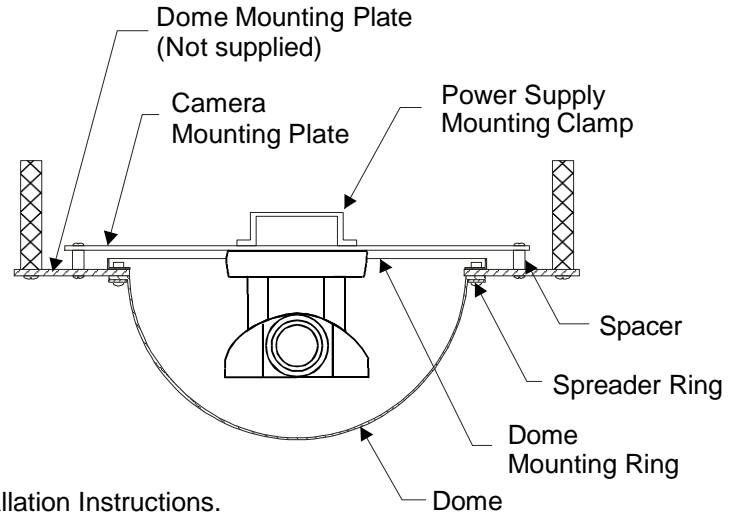
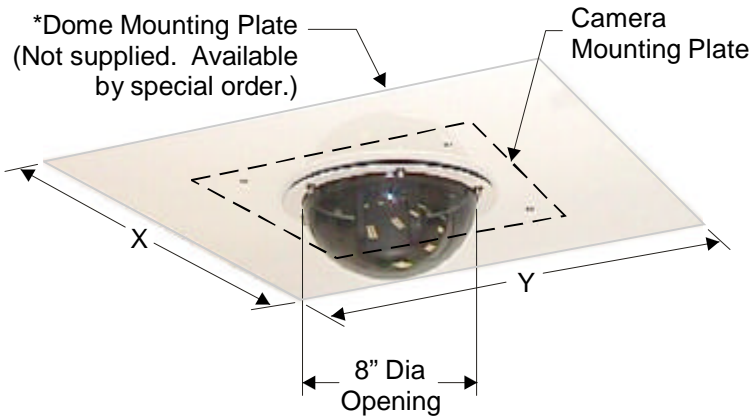


CAM P/T Indoor Dome

Ceiling Tile Mounting CAM-CMDM-TM

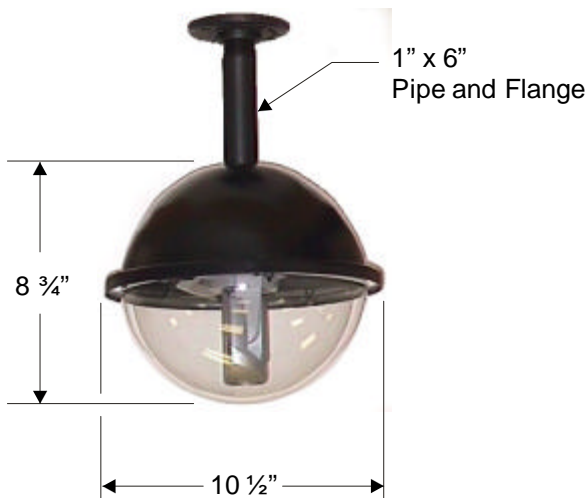


*Dome Mounting Plate dimensional drawing supplied with Installation Instructions. Dimensions X and Y are dependent upon installation.

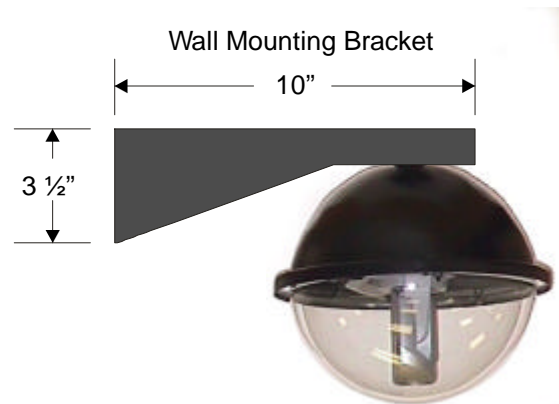
Description:

The Ceiling Mount Dome is a lightweight, clear acrylic dome. It can be mounted on most drop ceiling configurations. Telemetrics supplies the dome, dome mounting ring, spreader ring, camera mounting plate, power supply mounting clamp and spacers. Since each ceiling configuration is different, the customer must supply the dome mounting plate or special order it from Telemetrics.

Ceiling Pendant Mounting CAM-CMDM-PM

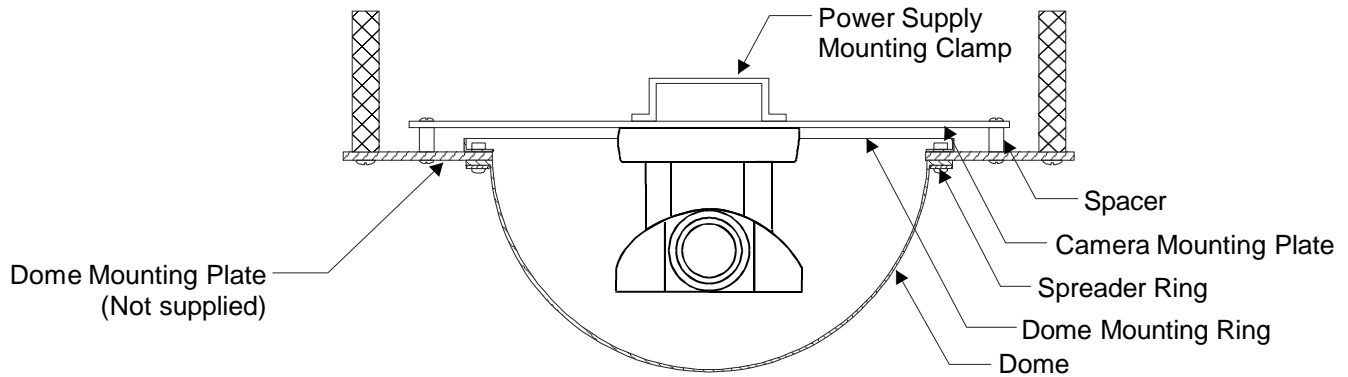


Wall Mounting CAM-CMDM-WM



Description:

Lightweight pendant dome with an ABS black upper dome and a removable clear acrylic lower dome. Included is a bracket for mounting a pan/tilt video camera and 1" x 6" long pipe and flange for ceiling mounting. Optional wall mounting bracket is also available.



The Ceiling Mount Dome can be mounted on most drop ceiling configurations. Telemetrics supplies the dome, dome mounting ring, spreader ring, camera mounting plate, power supply mounting clamp and spacers. Since each ceiling configuration is different, the customer must supply the dome mounting plate or special order it from Telemetrics. The ceiling mounting surface (ceiling tile, etc.) must be fabricated by the installer according to the drawing below if a dome mounting plate from Telemetrics is not used. (Note: The spreader ring can be used as a template for the "B" holes and the 7.78" dia hole.)

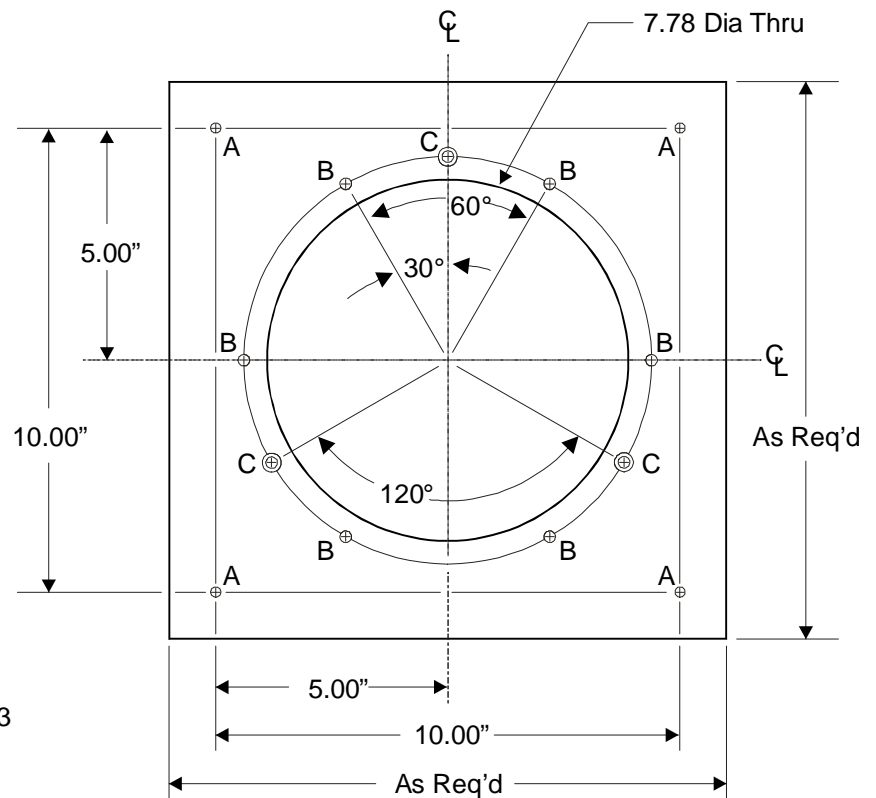
Dome Mounting Plate (Not supplied)

"A" Holes: .218 Dia Thru

"B" Holes: .250 Dia thru
6 holes equally spaced
60° apart on 8.78" Dia BC

"C" Holes: .187 Dia thru
CSK 82° to .353 Dia
3 Holes equally spaced 120° apart

Note: Overall dimensions of this plate are dependent upon the desired installation configuration.



Material List:

- (1) Dome & Gasket 2-554/25 & 2-554/33
- (1) Dome Mounting Ring 2-554/175
- (1) Spreader Ring 2-554/194
- (1) Camera Mounting Plate 54464 000
- (1) Power Supply Mounting Clamp 54462 000
- (4) 10-32 x1 Spacers
- (6) M5 x 20mm Sockethead Cap Screws
- (6) M5 Split Lock Washers

Note: Longer or shorter screws may be required depending on installation.