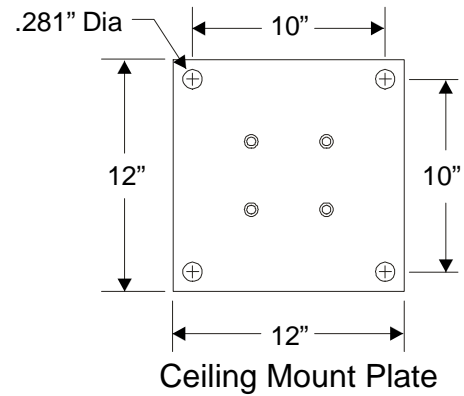


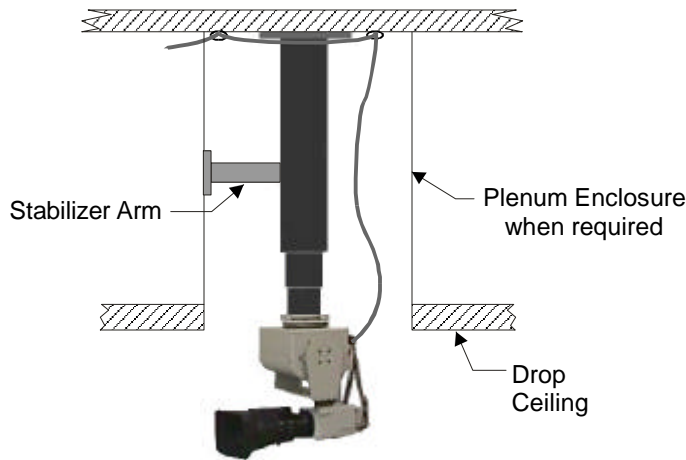
*52.6" when using side mount PT-CP-S2.

**Ceiling Mount Option
ECMO-PT-S2-CM**

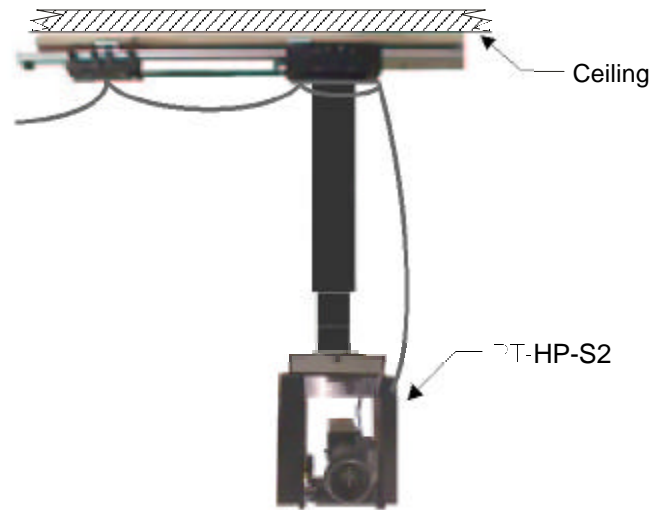


Caution
Due to variation of wall and ceiling construction, hardware for mounting the unit to the mounting surface is not provided. Exercise care when securing bracket. Installation should be verified for proper fastening and safety.

**Stabilizer Arm Option
ECMO-PT-S2-SA**



**Trolley Mount Option
ECMO-PT-S2-TR**



Note: This option must be used with the PT-HP-S2.

Description

The Telemetrics Retractable Ceiling Mount is a remotely controlled, motorized camera positioning mechanism. It is ceiling or wall mountable (using the Telemetrics ADJ-WMBKT bracket), adding vertical positioning to pan/tilt camera movement. It can also be used with the Telemetrics Camera Track system (CTS-S2). It is controllable using the various Telemetrics control panels and computer software with position, preset and motion control capability.

Specifications

Input Voltage	24VDC
Input Power	50 Watts
Elevation Travel	26.6 inches
Telescoping Speed	2 inch/second

Mounting	Pan/Tilt quick disconnect
Load	50 lbs
Weight	18 lbs

Specifications and features subject to change without notice.

Telemetrics Inc.
6 Leighton Place
Mahwah, New Jersey, U.S.A. 07430
Phone: (201)848-9818 Fax: (201)848-9819
www.telemetricinc.com

6/03 printed in U.S.A.
Eng #54560