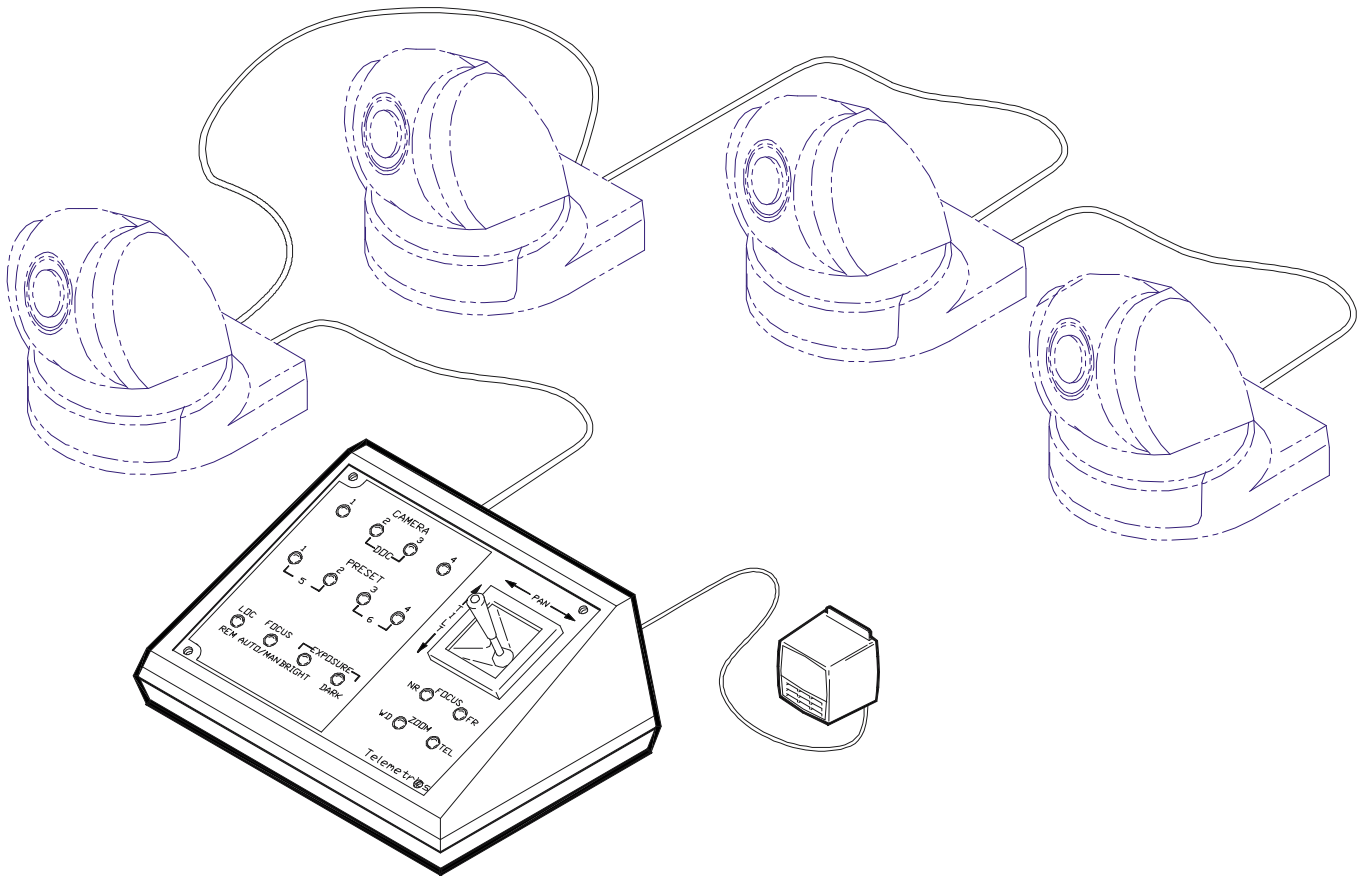
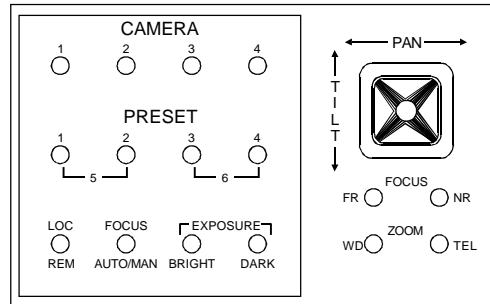


CP-ITV-PTC

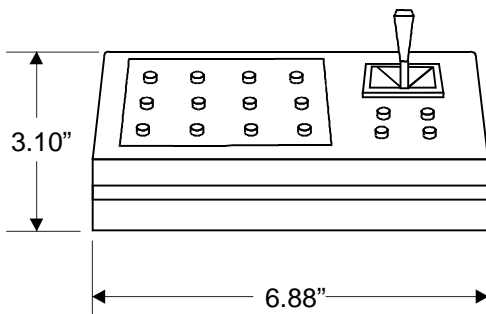
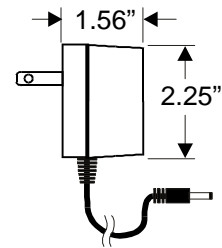
Serial Control Panel



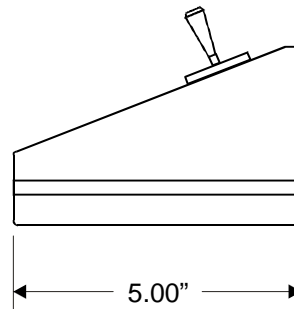
**Telemetrics Control Panel for the
Elmo PTC-100S Pan/Tilt Communication Camera
enhances function and value for
Teleconferencing, Educational, and Security Applications.**



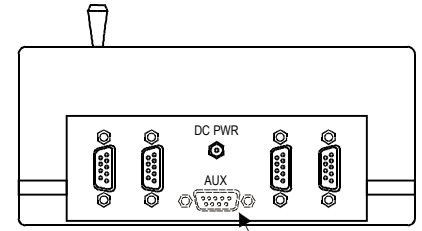
Power Supply (Included)



Front



Side



Back

Description:

The Telemetrics CP-ITV-PTC is an RS-232 serial desktop control panel designed to control the Elmo PTC-100S pan/tilt communication cameras. Up to four camera systems can be connected and controlled by one control panel.

A joystick provides simultaneous control of the pan and tilt direction only. The pan and tilt speeds are set by the zoom position. Tele equals slow speed where as wide equals a fast speed. Switches are provided to control zoom, focus and iris of the camera lens. Six memorized presets, pan, tilt, zoom and focus positions, for each of the four cameras can be recalled by selector switches provided or by external contact closures (option). Interacting local and remote control panels, RS-232 interconnected, can control the cameras at either location by selecting the front panel Local/Remote switch. RS-232 addressable external video switchers are also controllable when operating camera select buttons.

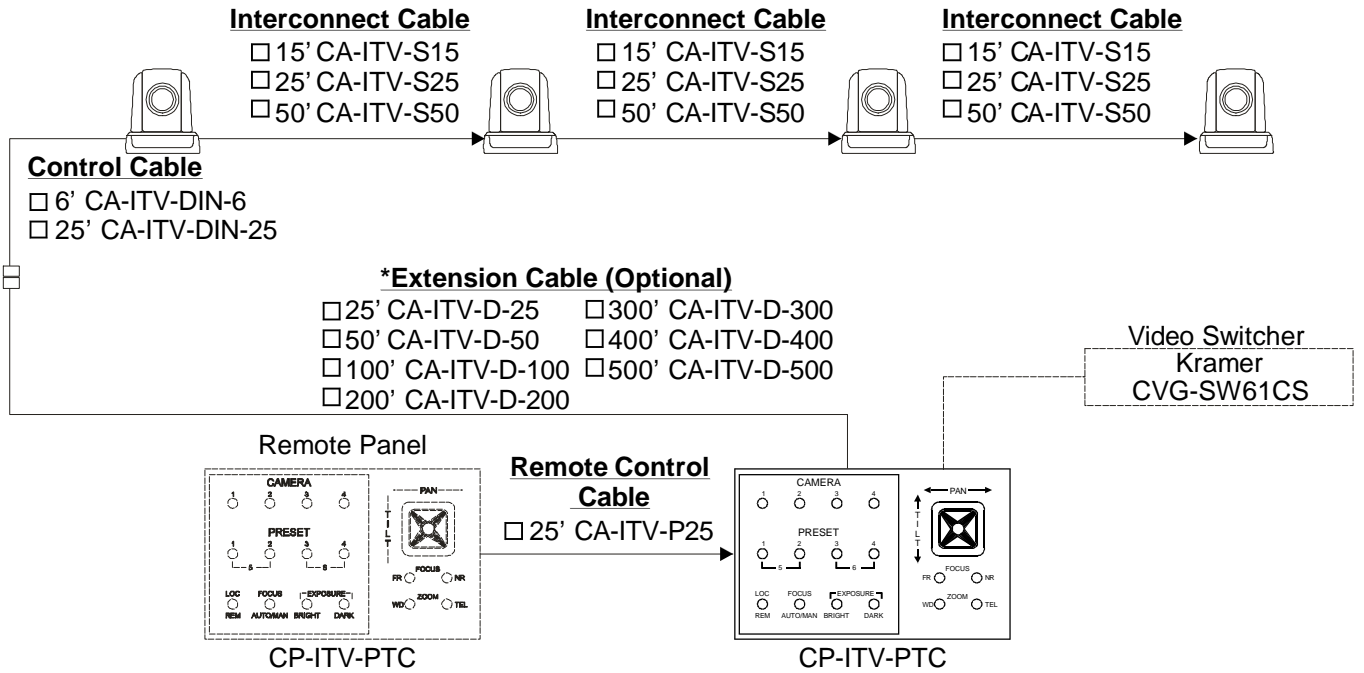
The pan/tilt video cameras may be connected using daisy chain wiring or home run wiring. Various interconnecting cable accessories are available (not included).

Other accessories include a ceiling mounting bracket (CAM-CMBKT) and a wall mounting bracket (CAM-WMBKT).

Functions:

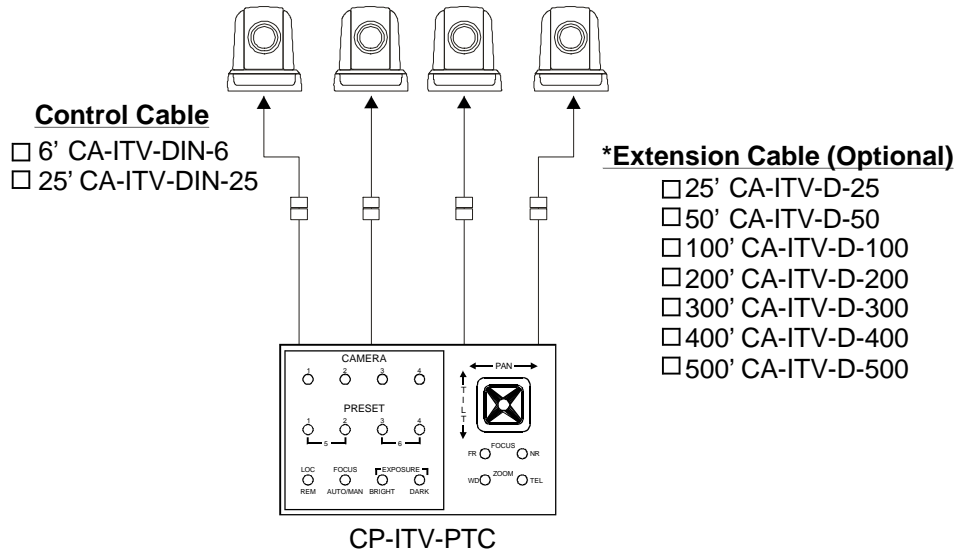
- ▶ Four Pan/Tilt Camera Select Switches
- ▶ Six Preset Shot Switches
- ▶ Local/Remote Select (Daisy Chain Only)
- ▶ Joystick for control of pan and tilt
- ▶ Lens Zoom Wide/Tele
- ▶ Lens Focus Far/Near
- ▶ Lens Focus Auto/Man
- ▶ Video Switcher (Daisy Chain Only)
(Kramer 6 x 1 Switcher - CVG-SW61CS)

System with Daisy Chain Wiring



* For Plenum cables, use part number CA-ITV-DP-XXX (where XXX=feet).

System with Home Run Wiring



* For Plenum cables, use part number CA-ITV-DP-XXX (where XXX=feet).

Mounting Brackets

Ceiling Mounting Bracket CAM-CMBKT

Wall Mounting Bracket CAM-WMBKT

