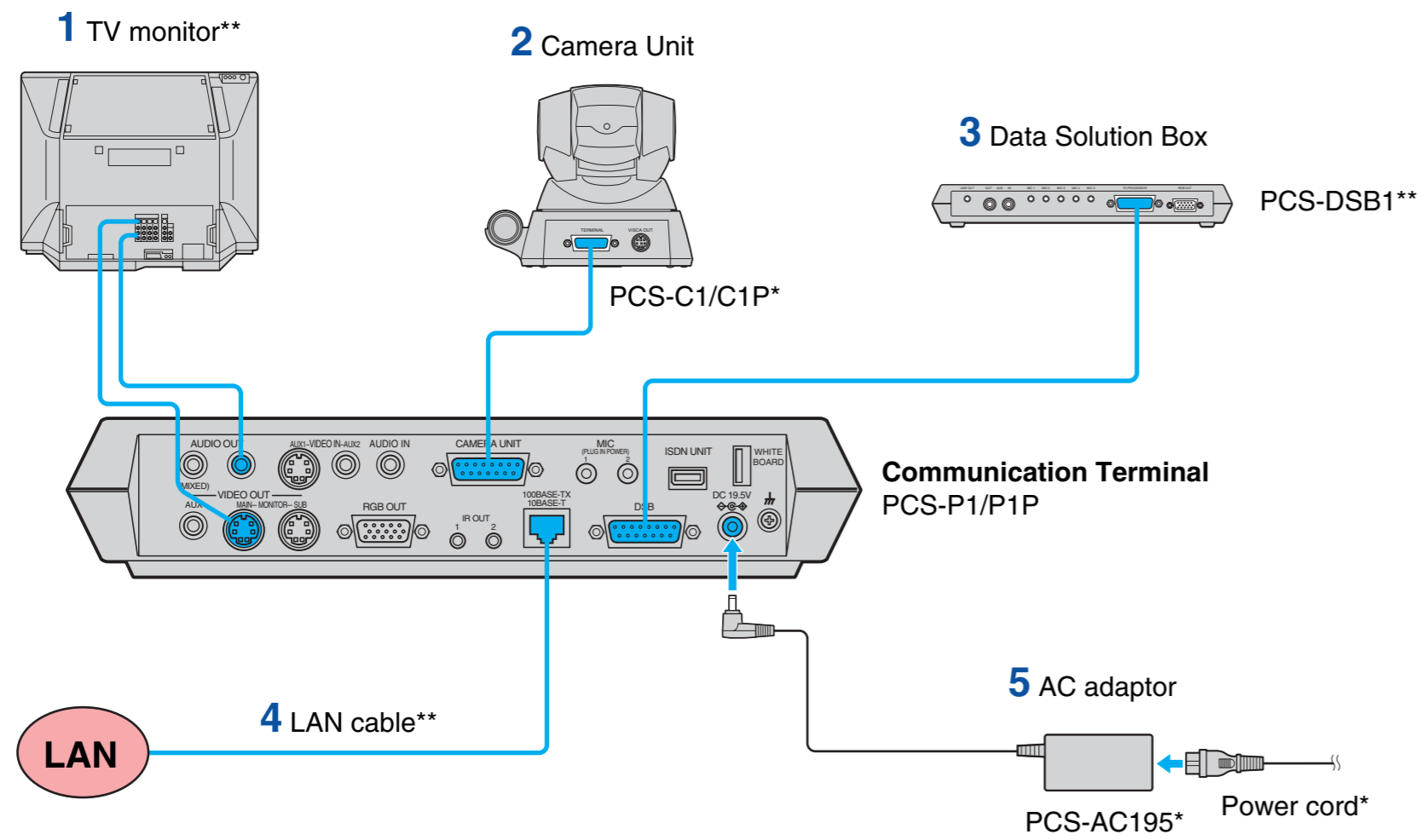


Connection Sheet (LAN Connection)

System Setup



* supplied
** not supplied

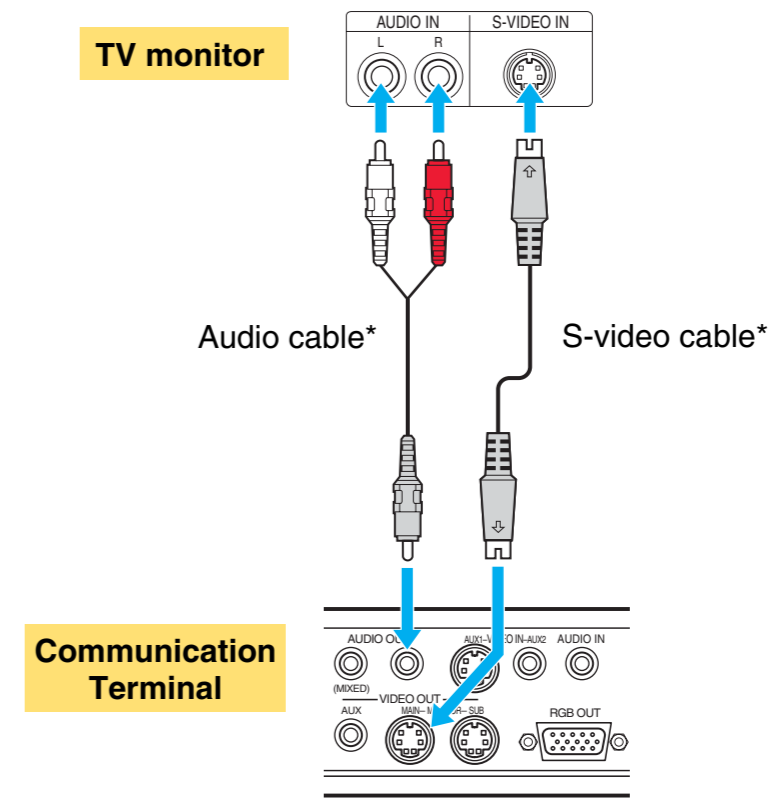
Let's connect

Notes

- Be sure to turn off all the equipment before making any connections.
- Do not connect/disconnect the camera cable with the power on. Doing so may damage the Camera Unit or Communication Terminal.

1 Connect the TV monitor.

Connect the TV monitor and Communication Terminal using the supplied audio cable and S-video cable.

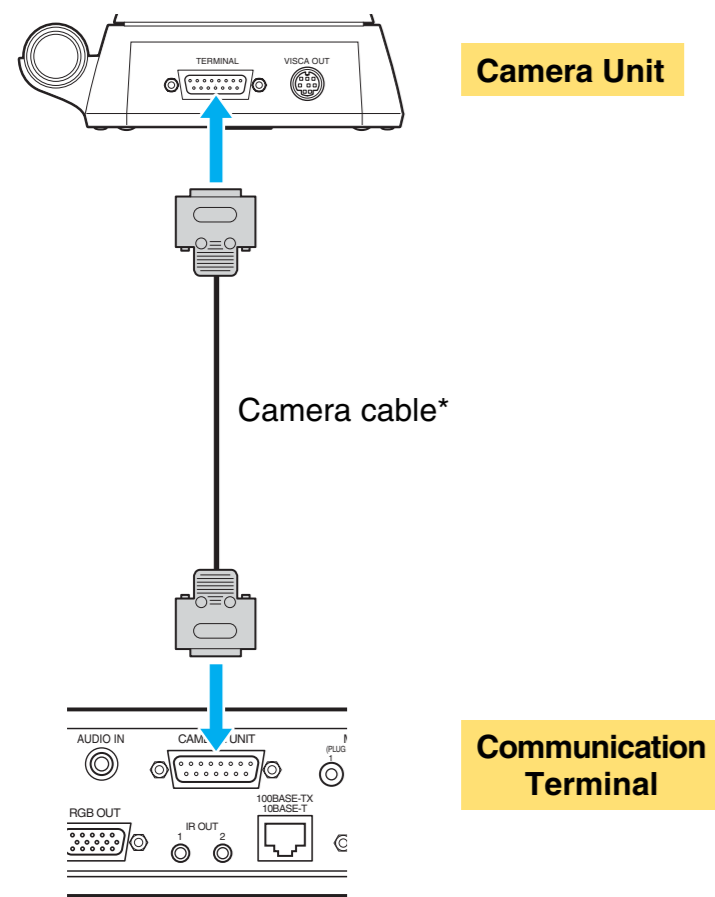


- When connecting a second monitor, use the VIDEO OUT MONITOR SUB or the RGB OUT connector on the Communication Terminal, or the RGB OUT connector on the Data Solution Box. For details, refer to the Operating Instructions.
- The AUDIO OUT (MIXED) jack is used to make an audio recording of a conference. This is not used during regular conferences.

* supplied

2 Connect the camera.

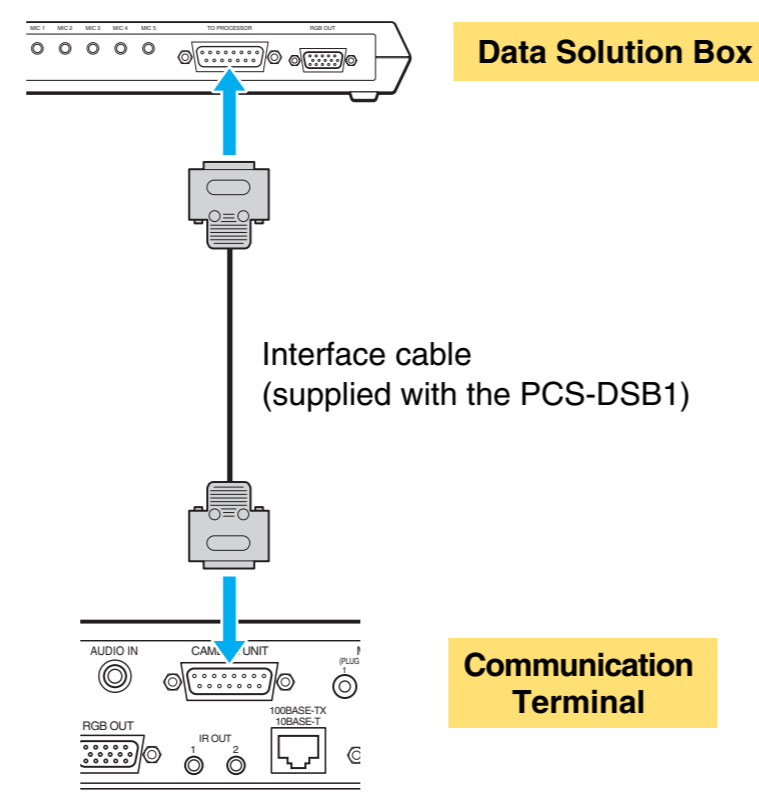
Connect the Camera Unit and Communication Terminal using the supplied camera cable.



* supplied

3 Connect the Data Solution Box.

Connect the Data Solution Box and Communication Terminal using the cable supplied with the Data Solution Box.

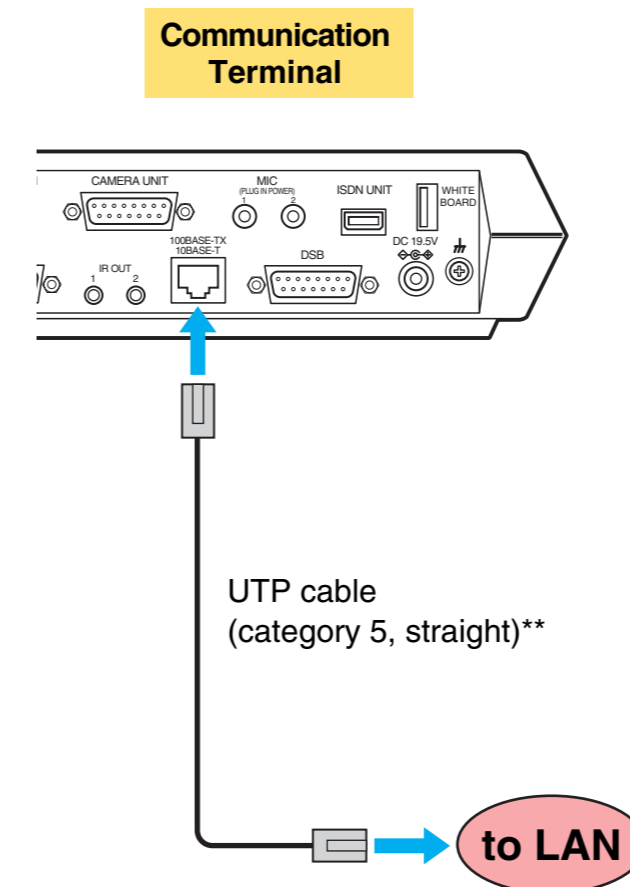


Used with the Data Solution Box for the first time, the Communication Terminal may automatically upgrade the software of the Data Solution Box. While the upgrading message is displayed on the monitor screen, be sure not to turn off the Communication Terminal. Doing so may cause malfunction of the system.

* supplied

4 Connect the LAN cable.

Connect the Communication Terminal to a LAN using a LAN cable (not supplied).

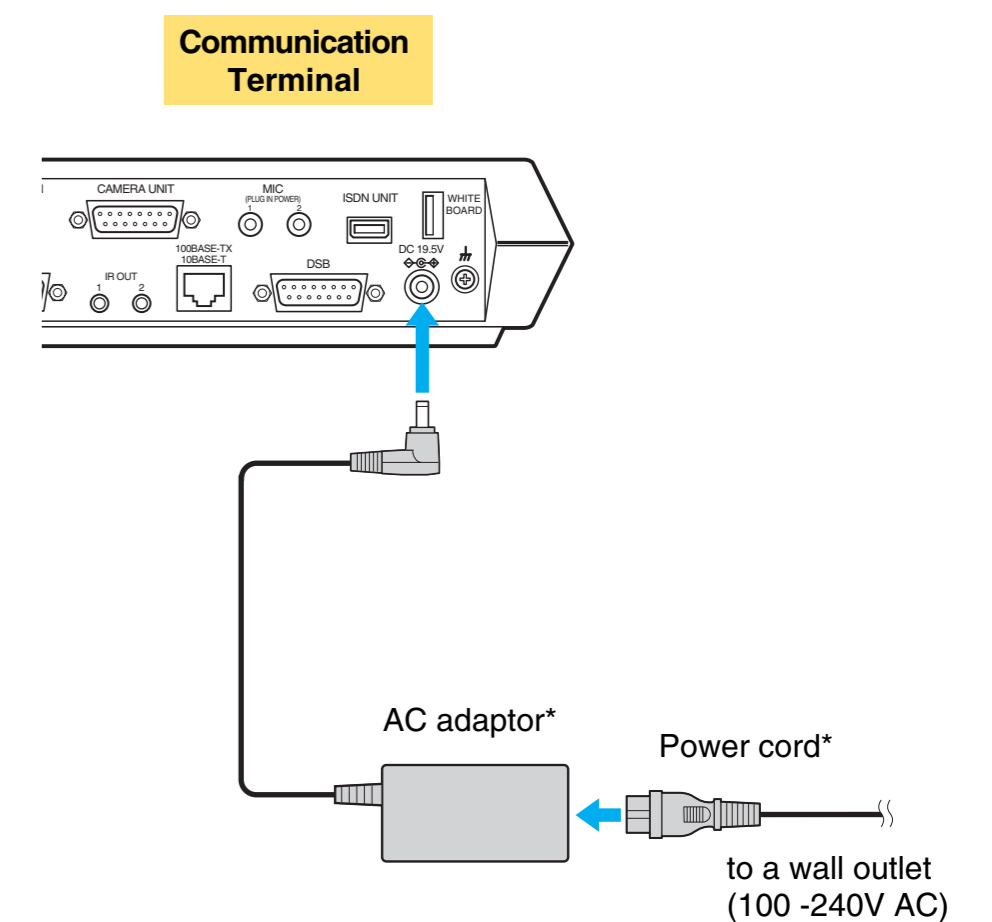


For safety, do not connect the 100BASE-TX/10BASE-T connector to a network that applies an excess voltage via the 100BASE-TX/10BASE-T connector.

** not supplied

5 Connect the AC adaptor.

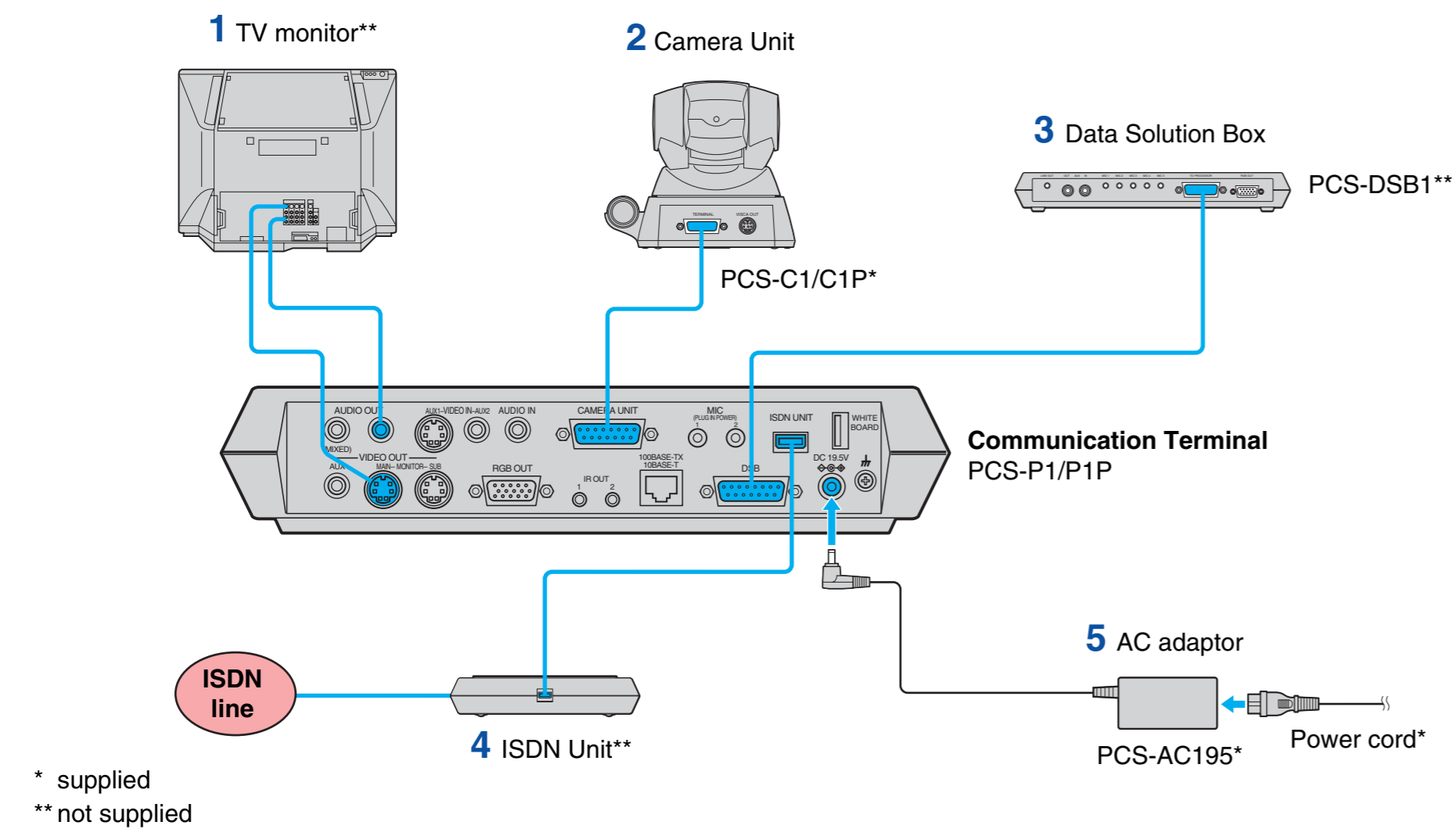
Connect the supplied AC adaptor to the Communication Terminal, and then plug the power cord into a wall outlet.



* supplied

Connection Sheet (ISDN Connection)

System Setup



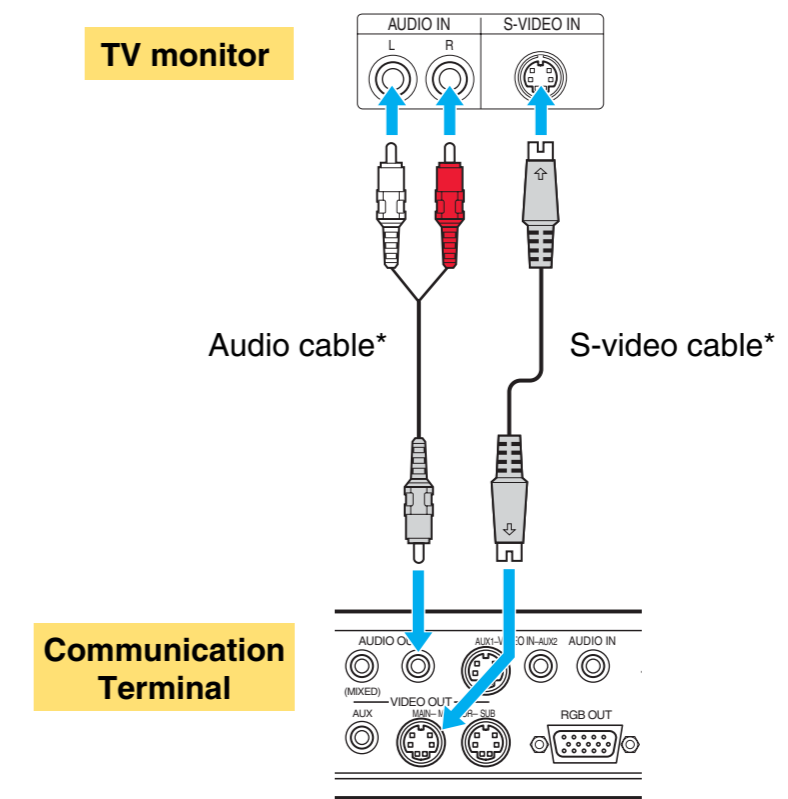
Let's connect

Notes

- Be sure to turn off all the equipment before making any connections.
- Do not connect/disconnect the camera cable or the interface cable with the power on. Doing so may damage the Camera Unit, Communication Terminal or ISDN Unit.

1 Connect the TV monitor.

Connect the TV monitor and Communication Terminal using the supplied audio cable and S-video cable.

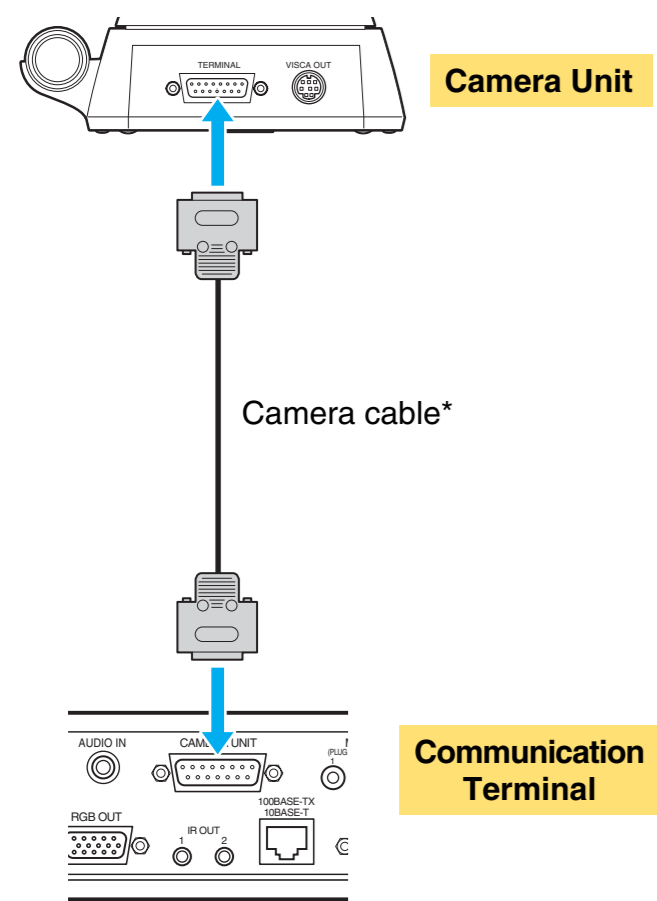


- When connecting a second monitor, use the VIDEO OUT MONITOR SUB or the RGB OUT connector on the Communication Terminal, or the RGB OUT connector on the Data Solution Box. For details, refer to the Operating Instructions.
- The AUDIO OUT (MIXED) jack is used to make an audio recording of a conference. This is not used during regular conferences.

* supplied

2 Connect the camera.

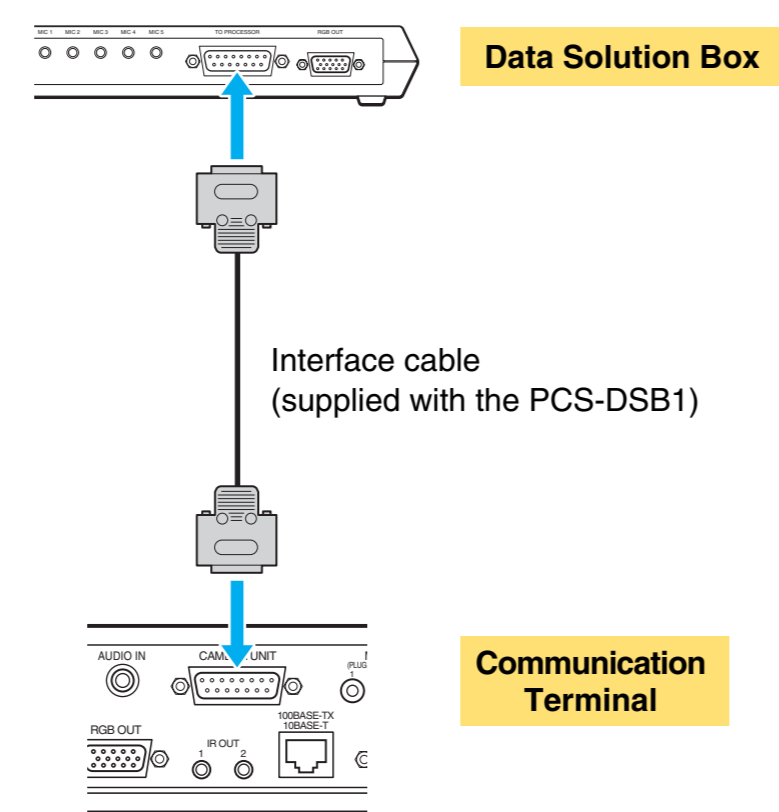
Connect the Camera Unit and Communication Terminal using the supplied camera cable.



* supplied

3 Connect the Data Solution Box.

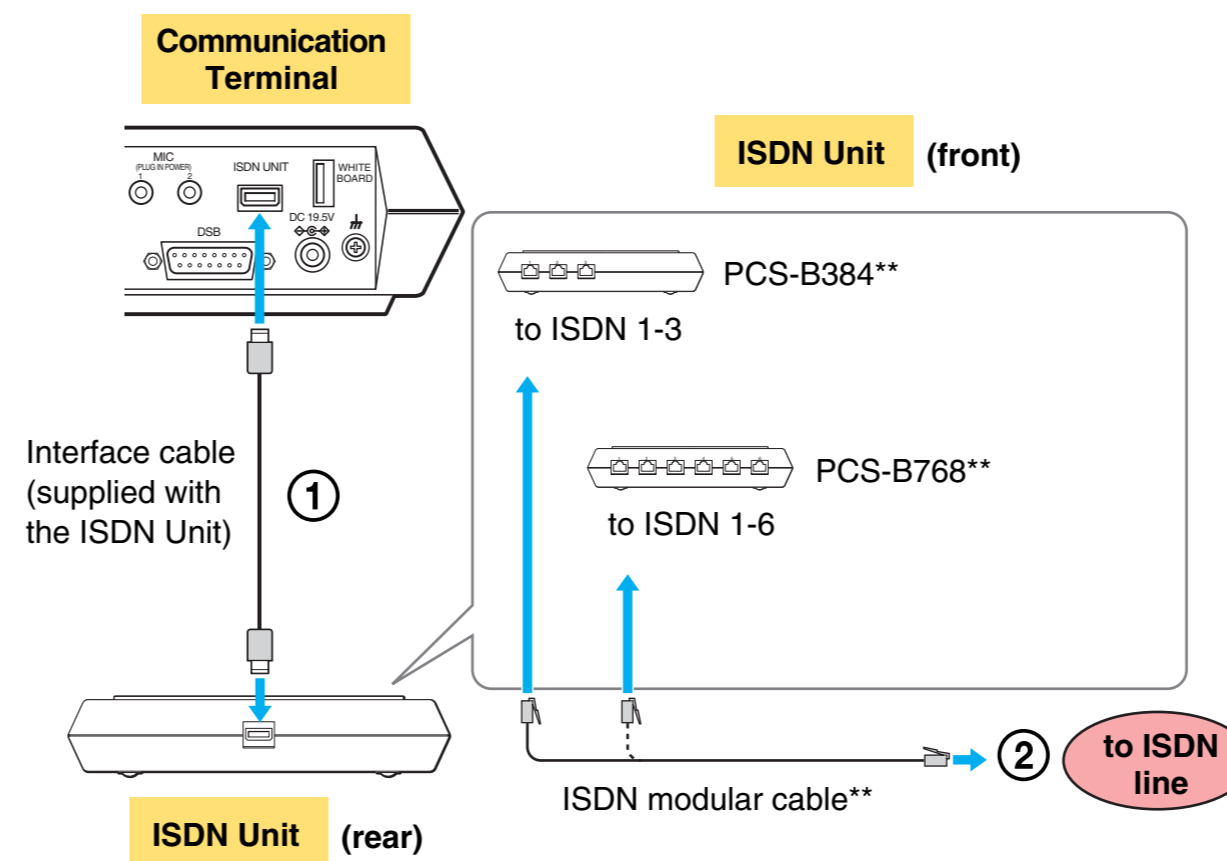
Connect the Data Solution Box and Communication Terminal using the cable supplied with the Data Solution Box.



Used with the Data Solution Box for the first time, the Communication Terminal may automatically upgrade the software of the Data Solution Box. While the upgrading message is displayed on the monitor screen, be sure not to turn off the Communication Terminal. Doing so may cause malfunction of the system.

4 Connect the ISDN Unit.

- ① Connect the ISDN Unit and Communication Terminal using the interface cable supplied with the ISDN Unit.
- ② Connect the ISDN Unit to an ISDN line using an ISDN modular cable (not supplied).

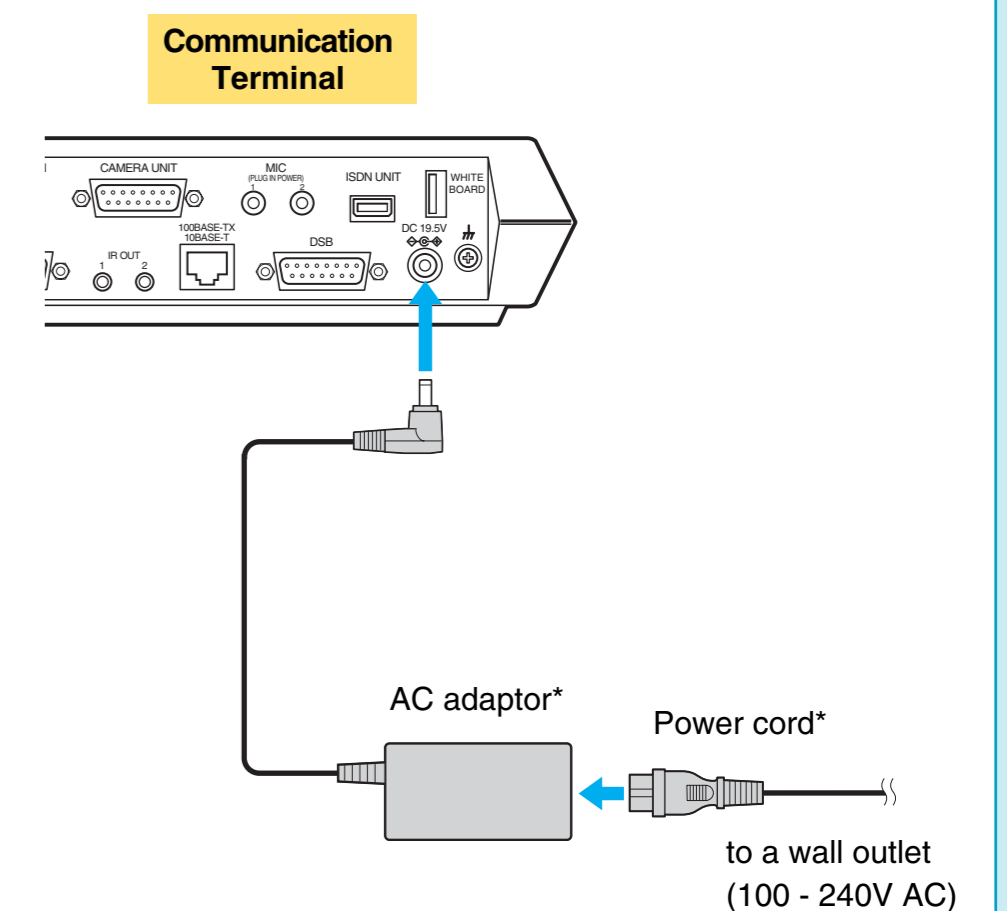


Used with an ISDN Unit for the first time, the Communication Terminal may automatically upgrade the software of the ISDN Unit. While the upgrading message is displayed on the monitor screen, be sure not to turn off the Communication Terminal. Doing so may cause malfunction of the system.

** not supplied

5 Connect the AC adaptor.

Connect the supplied AC adaptor to the Communication Terminal, and then plug the power cord into a wall outlet.



* supplied